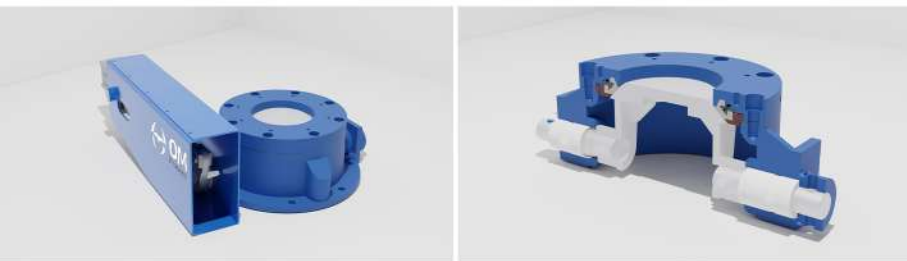
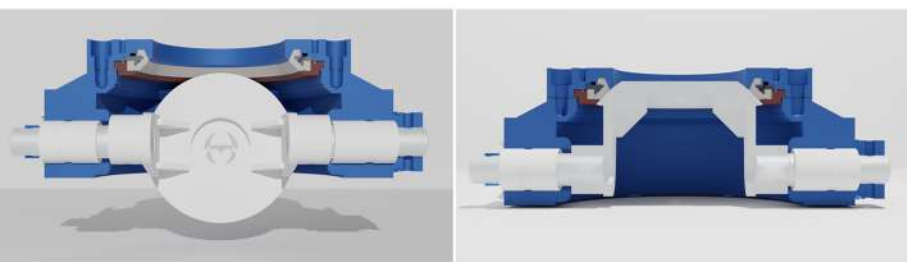


### FEATURES

- As inlet, outlet and vent valve to pneumatic conveying vessels; such as certain Denskonveyor® models,
- Can be utilized as inlet and outlet valve for process equipments,
- Silo discharge,
- With conveying pipes as isolation valve,
- With diverter pipes as line switching valve,
- Configurations possible with diverter valves.



- Reliable operation under pressure differentials.
- Accelerated wear caused by operating under pressure differentials is compensated by inflatable seal.
- Can operate under pressure up to 6 barg.
- When closed operates as a pressure tight seal.
- Closing and sealing action provided by single quick motion.
- With water-cooling option available, can operate up to 400°C (Water cooling option is recommended for operations involving temperatures higher than 220°C).



Open

Close



Water cooling option is available for every size of Spheriflate®

**Water cooling type is available in two options:**

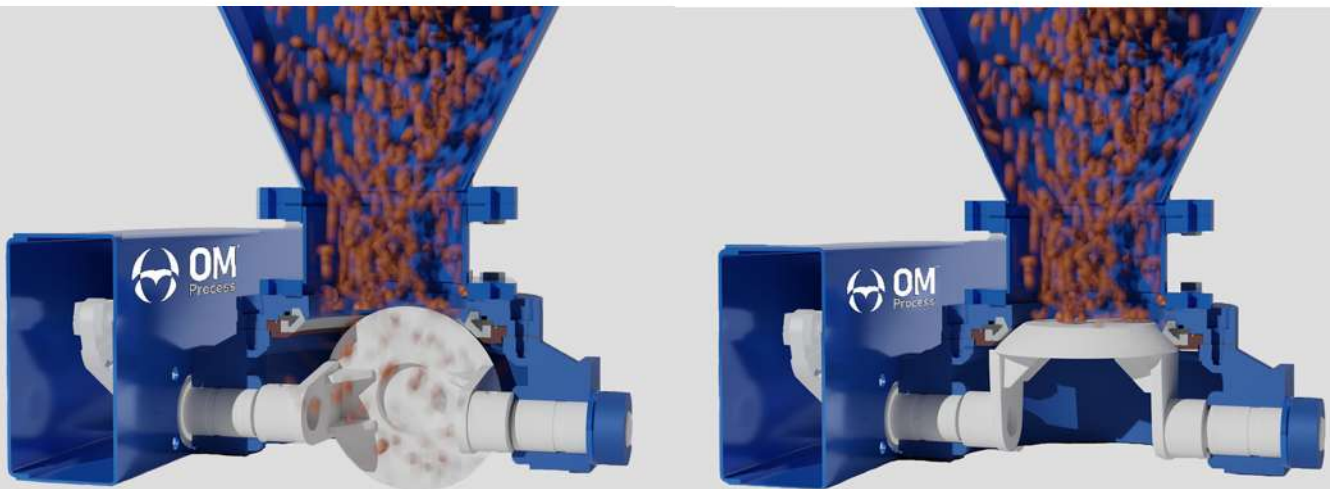
- Water cooled dome,
- Water cooled dome and top plate.

Compliance	
CE*	Compatible with CE (2006/42/EC)*

Technical Properties	
Operating Temperature*	Up to 400°C*
Operating Pressure	6 barg
Size	2" - 16"
Control	Pneumatic Cylinder Pneumatic Actuator

Materials		
Body	Standard	Cast Iron
	Optional	Stainless Steel Cast
Seal	Standard	Rubber
		Silicon

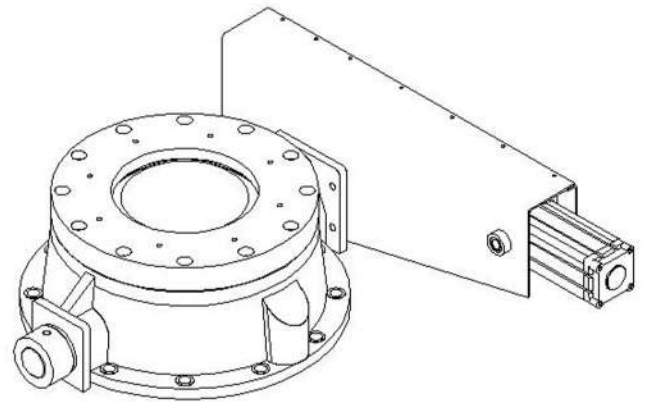
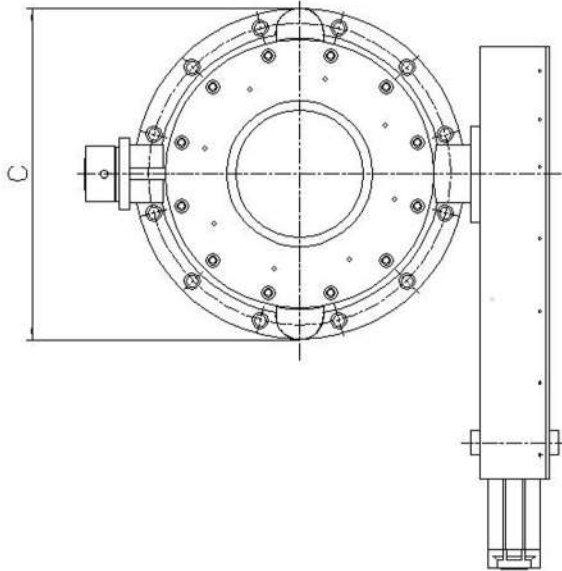
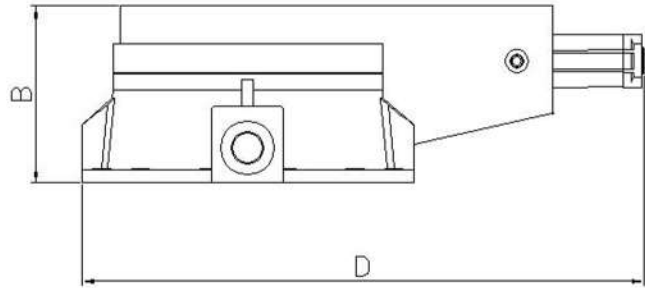
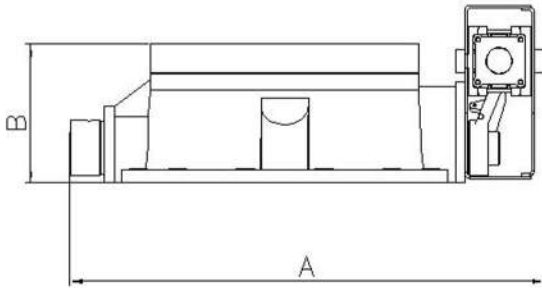
- Possible material build-up is minimized by the simple and cavity-free design.
- Due to its special design any part replacement and routine maintenance procedures are easy and quick.
- Unrestricted full-bore flow.
- Can cut through moving or static columns of material.
- Long operating life.
- Very minimal to no wear when handling abrasive materials.



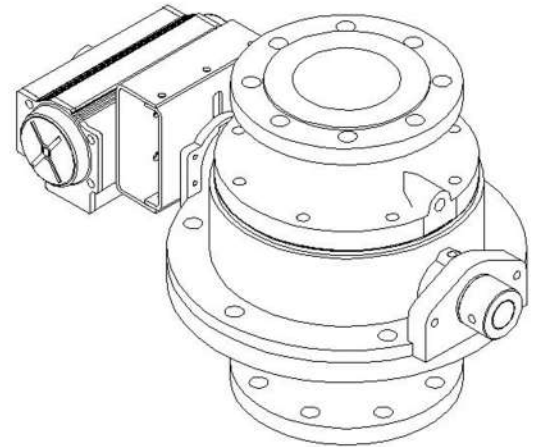
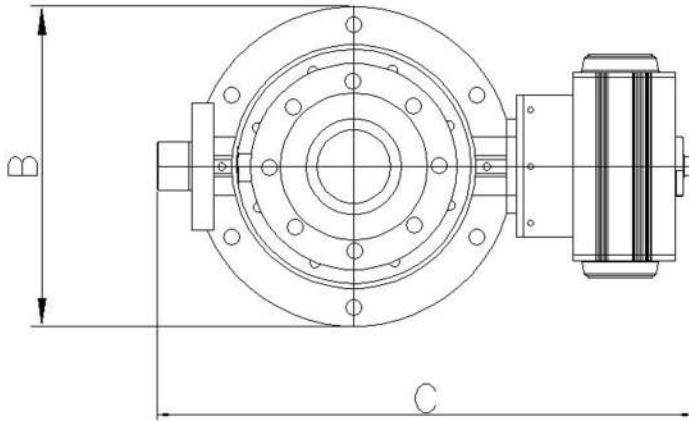
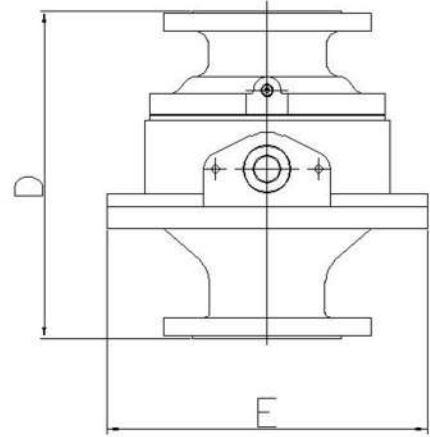
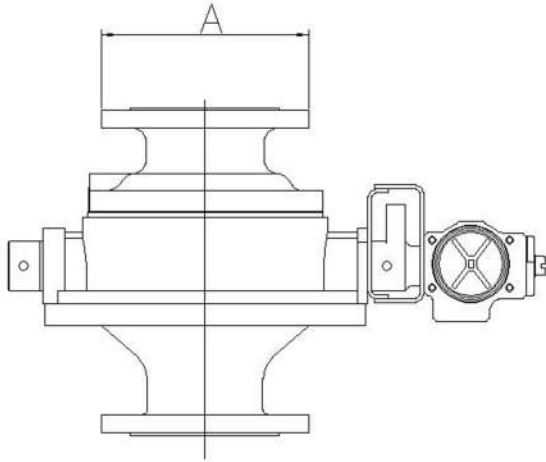
- Applicable to a wide range of industries: food, pharmaceuticals, plastics, minerals, energy, iron, steel, mining, etc.
- Suitable for fine-grain and abrasive materials.
- Varieties of construction and seal materials available for compatibility to different process and materials.

### COMPARING

Properties	Spheriflate	Butterfly Valve	Slide Valve
Cut-off Valve	✓	x	✓
Operation under pressure differential up to 1 barg	✓	✓	x
Operation under pressure differential up to 6 barg	✓	x	x
Capable of operating at temperatures up to 400°C	✓	x	x
Suitable for abrasive materials	✓	x	x
Unrestricted flow through valve	✓	x	✓
Compensation for wear	✓	x	✓



Models	Dimensions			
	A	B	C	D
SPF200	302	520	949	751
SPF300	369	690	1169	986
SPF400	766	940	1361	1287



Wide range of valve sizes :

Models	Dimensions				
	A	B	C	D	E
SPF50	160	165	394	191	165
SPF80	200	200	456	281	206
SPF100	220	340	570	348	340
SPF125	250	460	709	423	460
SPF150	280	460	709	403	460

Models	Drive Type	
	Actuator	Cylinder
SPF50	✓	
SPF80	✓	
SPF100	✓	
SPF125	✓	
SPF150	✓	
SPF200	✓	✓
SPF300		✓
SPF400		✓